

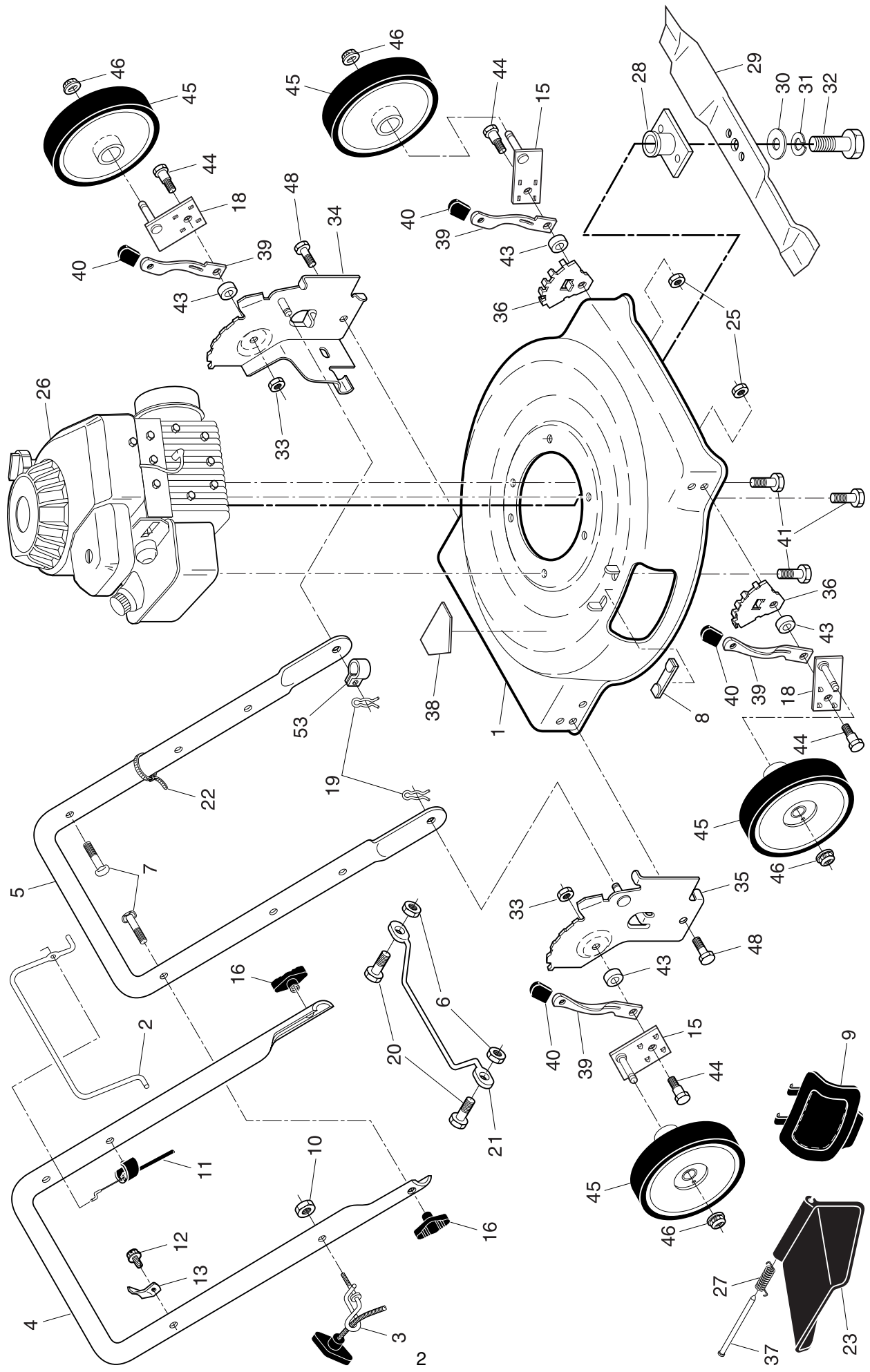
ILLUSTRATED PARTS LIST

MODEL NUMBER P4056SM

PRODUCT NUMBER 961 11 00-06

MFG. ID. NUMBER 96111000603

ROTARY LAWN MOWER -- MODEL NUMBER P4056SM (96111000603) PRODUCT NUMBER 961 11 00-06



ROTARY LAWN MOWER - - MODEL NUMBER P4056SM (96111000603) PRODUCT NUMBER 961 11 00-06

KEY NO.	PART NO.	DESCRIPTION	KEY NO.	PART NO.	DESCRIPTION
1	532 40 07-26	Lawn Mower Housing (Includes Key Number 38)	28	532 19 38-25	Blade Adapter
2	532 19 55-74	Control Bar	29	532 19 93-79	22" Blade
3	532 19 47-88	Rope Guide	30	532 85 10-74	Hardened Washer
4	532 19 55-47	Upper Handle	31	532 85 02-63	Helical Lockwasher 3/8
5	532 17 42-91	Lower Handle	32	532 85 10-84	Hex Head Screw 3/8-24 x 1/4 Grade 8
6	532 06 91-80	Locknut, Hex 1/4-20	33	873 93 05-00	Locknut 5/16-18
7	532 19 15-74	Handle Bolt 5/16-18	34	532 40 34-56	Wheel Bracket, Support, LH
8	532 16 16-22	Clip, Closeout	35	532 40 34-57	Wheel Bracket, Support, RH
9	532 16 08-30	Plate, Mulcher	36	532 16 57-04	Wheel Bracket, Adjuster
10	532 13 20-04	Nut, Hex	37	532 16 08-33	Hinge Rod
11	532 15 81-52	Engine Zone Control Cable	38	532 18 21-66	Danger Decal
12	532 75 06-34	Hex Thread Rolling Screw #10-24 x1/2	39	532 16 85-99	Selector Spring
13	532 12 52-03	Up-Stop Bracket	40	532 08 78-77	Selector Knob
15	532 18 92-77	Axle Arm Assembly (Rear, RH / Front, LH)	41	532 15 04-06	Hex Head Thread Rolling Screw 3/8-16 x 1
16	532 19 18-56	Handle Knob	43	532 18 39-01	Washer
18	532 18 92-78	Axle Arm Assembly (Rear, LH / Front, RH)	44	532 16 08-28	Shoulder Bolt
19	532 05 17-93	Hairpin Cotter	45	532 40 61-49	Wheel & Tire Assembly
20	532 08 58-25	Hex Head Screw 1/4	46	532 08 39-23	Locknut, Hex 5/16-18
21	532 15 41-47	Footguard	48	817 60 04-06	Hex Head Bolt 5/16-18 x 3/4
22	532 06 64-26	Wire Tie	53	532 19 79-91	Clip, Cable
23	532 16 08-31	Discharge Guard	--	532 18 21-91	Warning Decal (not shown)
25	532 16 67-85	Nut, Hex	--	532 40 03-71	Operator's Manual, European
26	- - -	Engine, Briggs & Stratton, Model Number 10A902 (Order parts from engine manufacturer)	--	532 40 03-72	Operator's Manual, Scandinavian
27	532 19 34-36	Torsion Spring	--	532 40 03-74	Operator's Manual, East Bloc
			--	532 40 03-73	Operator's Manual, Baltic

NOTE: All component dimensions given in U.S. inches. 1 inch = 25.4 mm. **IMPORTANT:** Use only Original Equipment Manufacturer (O.E.M.) replacement parts. Failure to do so could be hazardous, damage your lawn mower and void your warranty.